

BERNINA L 850

# THE ULTIMATE OVERLOCKER

SWISS DESIGN AND ENGINEERING



**NEW**  
ONE-STEP BERNINA  
AIR THREADER



made to create **BERNINA**

# TRADITION & INNOVATION

BERNINA has been passionately dedicated to the development and manufacturing of high-quality sewing machines since 1893. Today, we are proud to present a new milestone in our history – the BERNINA L 850 Overlocker. This innovation manufactured by BERNINA is 100% designed and engineered in Switzerland.

## THE BEST OF SWISS ENGINEERING: THE ONE-STEP BERNINA AIR THREADER

The **One-step BERNINA Air Threader** makes threading the looper threads unbelievably easy. Our Swiss engineers have created a masterpiece. In fact, it's actually fun. No more dreading threading! One of the biggest advantages when threading both looper threads is **both hands remain free**. The threads are magically moved through the machine via one simple step on the foot control. Remarkably quick and easy! The L 850 **automatically sets the loopers in the correct position** for the air threader – no turning the handwheel or searching for the right position. Simply press the foot control and you're off!

## TOTAL STITCH CONTROL = PERFECT OVERLOCK SEAMS

The BERNINA L 850 is perfect for **working with a wide variety of fabrics and threads in any combination**. It sews, cuts, and finishes in one easy step, so even sewing projects with the most difficult materials take shape in no time. The L 850 offers several **settings for Total Stitch Control** – all individually adjustable. Achieve perfect results with just a few adjustments in no time. With recommended default settings inexperienced users can immediately get started on their project. The experienced user has numerous options to personalize the settings for endless creativity. Thanks to the **Micro Thread Control (mtc)**, the amount of overedge thread can be precisely adjusted with a turn of the mtc knob. The **infinitely adjustable differential feed** provides smooth handling of knitwear and particularly

prevents the unwanted ruffling of fine materials. The best part? You can **change all of these settings while sewing** – including adjusting the cutting width and stitch length. The result is a beautiful overlock seam ideally matched to your sewing project.

## QUICK THREADING

**Threading the needles is simple** thanks to the **integrated needle threader** and the **automatic needle stop up** function. **One-path Threading** with color coding allows you to change from an overlock seam to a rolled hem or a flatlock seam in no time without changing the threading path.

## EXTREMELY FAST, PRECISE & QUIET

The L 850 reaches a maximum sewing speed of up to **1,500 stitches per minute**. The foot control allows you to control the motor providing **strong, consistent stitching power and precision at any sewing speed**. Not only can you sew quickly, but you can also sew stitch-by-stitch, making the flawless production of precise lines and curves a simple process. And all of this is achieved with the **extremely quiet** hum of a BERNINA.

*“The ultimate overlocker.”*

**ANDREA MÜLLER**, “JOLIJOU”  
TEXTILE DESIGNER

As the designer of the brand “Jolijou”, Andrea Müller creates colorful jersey fabrics and loves bringing them to life in new projects using the BERNINA L 850 overlocker. In particular, the One-step BERNINA Air Threader and the fast sewing speed with perfect stitch quality win this mother of three's admiration when projects have to be done on a limited schedule.



# SEW LIKE A PRO!

## FLAWLESS FINISHES ABOUND WITH THIS SPECIALIST ON YOUR TEAM.

The L 850 is the perfect complement to your sewing machine, since seams and hems of all sorts are its specialty.

### THERE ARE MANY REASONS TO ADD A BERNINA OVERLOCKER TO YOUR LINEUP:

- It sews, cuts and finishes in one easy step
- It creates professional, durable seams and hems
- Easily handles jersey, stretchy and woven fabrics
- Perfect rolled hems are so simple
- Differential feed makes operation and perfect stitches easy
- Create ruffles and gathers as you please with differential feed
- Limitless creative possibilities with decorative threads
- Large selection of optional accessories for unlimited creativity

### THE BERNINA ADVANTAGE

If you are already a proud owner of a BERNINA sewing machine, and appreciate all the **BERNINA advantages**, you'll be thrilled with the **L 850 overlocker** and recognize many of the functions and benefits you already know and love. But if you've never owned a BERNINA, you are in for a treat! But be forewarned, machine love is real and BERNINA owners have it bad!

### GRAND SEWING SPACE

The space offered on the L 850 is generous by any definition. It has **more room to the right of the needle** and **more work space height** than any other BERNINA overlocker. That means guiding fabric and accessing the presser foot lifter and needles is simple and more comfortable. Sew closed items with ease by simply sliding sleeves or cuffs over the

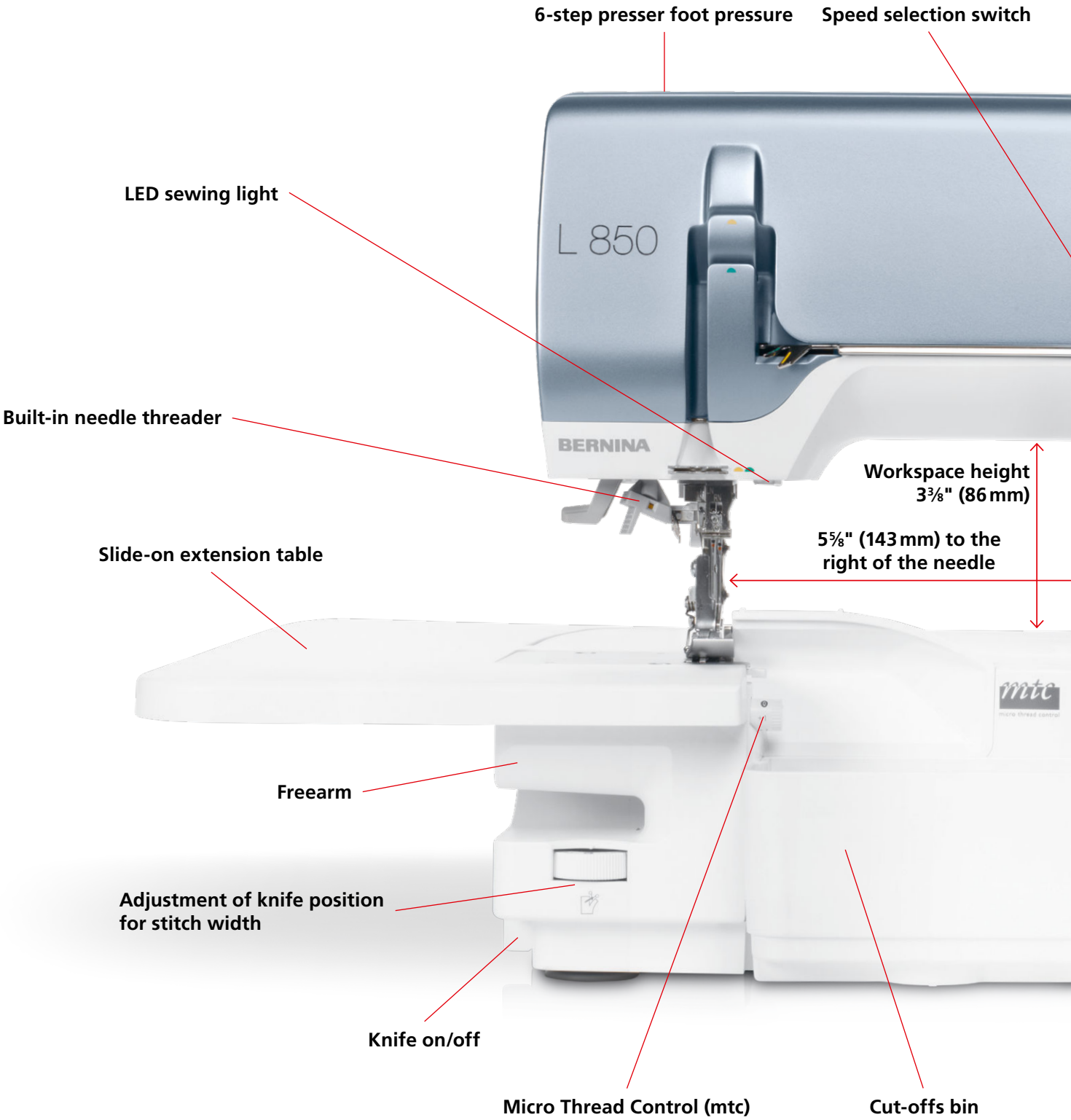
**convenient freearm**. In addition, the **large slide-on extension table** expands the work surface area and simplifies the sewing of larger projects. The **bright LED sewing light** provides improved visibility when sewing, during both day and at night.

### SEW IN COMFORT

The **BERNINA Free Hand System (FHS)** is a knee operated lifter that raises and lowers the presser foot. That leaves both hands free to guide the fabric – a significant advantage when sewing corners, for example. In addition, the presser foot **easily swings out** for convenient access to the needles.

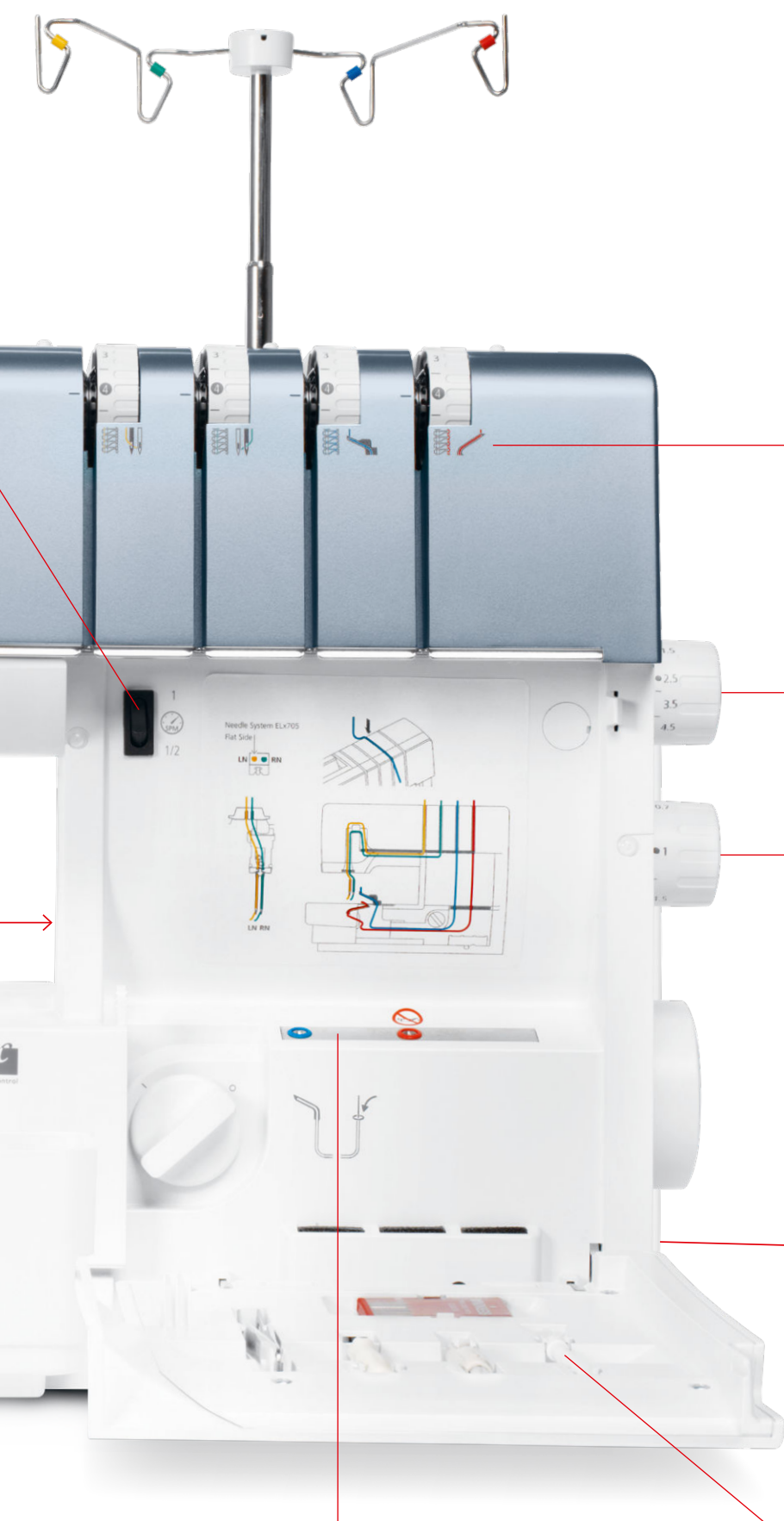


# L 850: THE ULTIMATE BERNINA



# BERNINA OVERLOCKER

LEARN MORE ABOUT THE  
BERNINA L 850 AT  
[BERNINA.COM/L850](http://BERNINA.COM/L850)



Color-coded  
One-path Threading

Stitch length adjustment

Differential feed adjustment

BERNINA Free Hand System (FHS) –  
Knee lifter

One-step BERNINA Air Threader

Accessories in the threader cover

# THE MOST IMPORTANT FUNCTIONS OF THE BERNINA L 850

Stitch Variations	L 850
Total number of stitches	18
4-thread overlock	1
3-thread overlock (wide/narrow)	2
3-thread super-stretch	1
3-thread flatlock (wide/narrow)	2
3-thread narrow seam	1
3-thread rolled hem	1
3-thread picot stitch	1
2-thread overlock (wide/narrow)	2
2-thread flatlock (wide/narrow)	2
2-thread rolled hem	1
2-thread wrapped overlock (wide/narrow)	2
2-thread blanket stitch (wide/narrow)	2

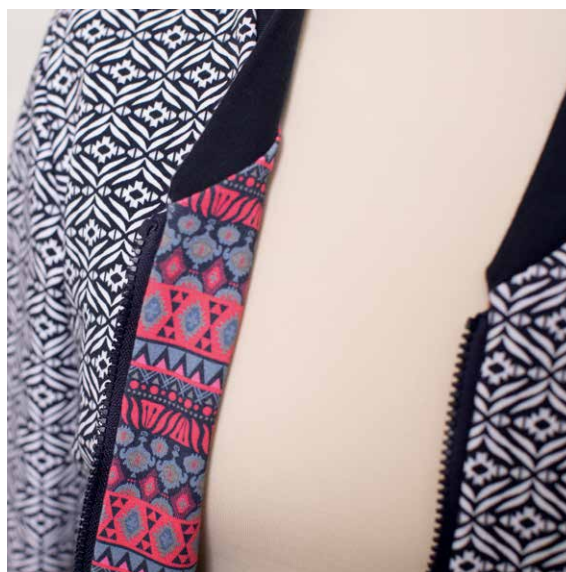
Comfort Features	L 850
One-step BERNINA Air Threader (for looper threads)	✓
Freearm	✓
Sewing space to the right of the needle	5 $\frac{1}{8}$ " (143 mm)
Workspace height	3 $\frac{3}{8}$ " (86 mm)
BERNINA Free Hand System (FHS) with knee lifter	✓
Swing-out presser foot with auto swing back	✓
2-step presser foot lifter with front-foot-lift	✓
Built-in needle threader	✓
Automatic needle stop up	✓
Needle up/down with BERNINA foot control	✓
Stitch-by-stitch sewing	✓
Color-coded One-path Threading	✓
Adjustable thread tension while sewing	✓
Thread tension release when presser foot raised	✓
Micro Thread Control (mtc)	✓
Adjustable stitch length while sewing	✓
Stitch length fine tuning for rolled hem	✓
Adjustable differential feed while sewing	✓
Adjustable cutting width while sewing	✓
Rolled hem lever integrated under stitch plate	✓
Easy to engage and disengage the knife from outside	✓
Integrated upper looper converter	✓
LED sewing light	✓
Thread cutter	✓
Speed selection switch	✓
Safety switch for open cover and raised presser foot	✓
Accessories in the threader cover	✓

Technical Specifications	L 850
Stitch width 3–9 mm	✓
6-step presser foot pressure	✓
DC Motor	✓
Maximum sewing speed (stitches per minute)	1,500
Weight of machine	27.1 lbs/12.3 kg

Standard Accessories	L 850
Standard overlock presser foot #L10 (with tape guide)	✓
Slide-on extension table	✓
Cut-offs bin	✓
BERNINA foot control	✓
Right seam guide	✓
Tweezers	✓
Manual needle threader/insertor	✓
Set of ELX705 CF needles, assorted	✓
Brush	✓
Screwdriver	✓
Accessories box	✓
Dust cover	✓

Mettler®

made to create **BERNINA**



We reserve the right to make changes to machine features, equipment and design. Additional information is available at your local BERNINA store.