

50 LEDS to perfectly
illuminate my quilt

3 regulated and
1 manual stitch mode

1 digital thread
tension adjustment

12 custom quilt tops
completed

1 big dream fulfilled



Quilt as Desired

Select the quilting solution that suits your style. Love the free-motion movement on a sit-down machine and want stitch regulation without throat space restrictions? Then the Q 20 sit-down model is your machine. Want more? Q 24 or Q 20 on one of the three BERNINA frame sizes brings automation and many more options to enhance your quilting style.

Quilt BIG

The BERNINA Q20 comes standard as a sit-down model machine. The generous longarm depth and height provide ample space for managing your larger quilts.

The BERNINA Q24 is designed as a frame model machine with even more room for your largest projects. Its longarm provides even more space for large quilt designs and can be used in conjunction with one of the three available frames making all sizes of quilted projects a breeze. Each BERNINA frame has a stable monorail system, which provides precise, smooth, and light weight guidance of the quilting machine. Computer-aided quilting with the BERNINA Q-matic software is possible on the Large and Classic frames.

Unique Models:

BERNINA offers various systems tailored to your needs. You can choose from the following:

- 20" sit-down model
- 24" or 20" model with 13' frame (Large)
- 24" or 20" model with 12' frame (Classic)
- 24" or 20" model with 9' frame (Small)



Table with extension and ample storage

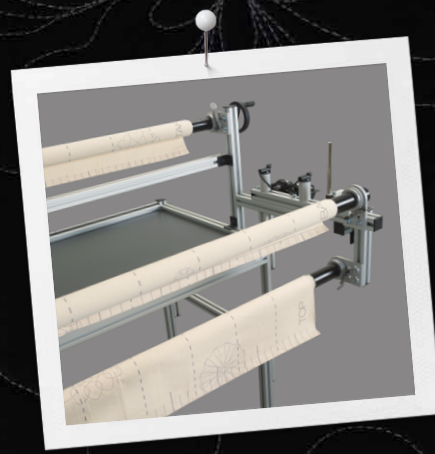


Lisa H. Calle, Longarm Quilt Artist

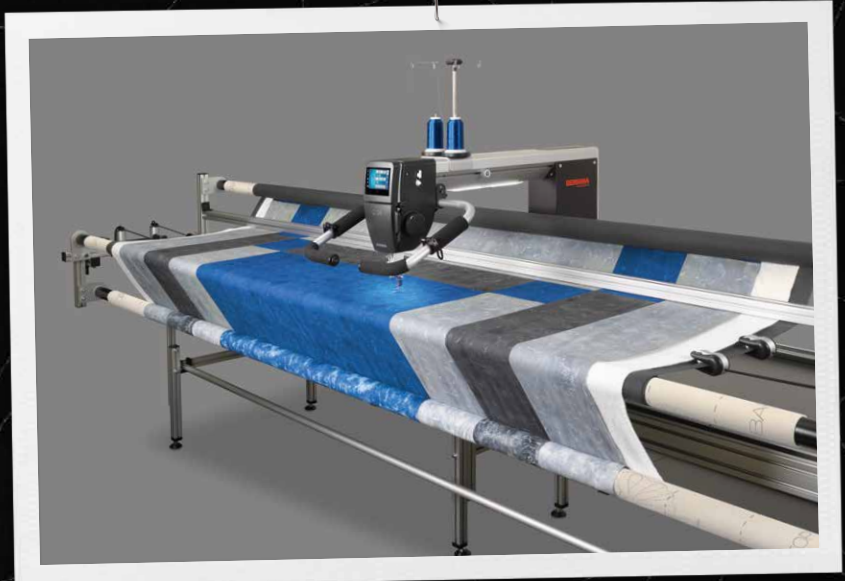
With a degree in Textile Management and Marketing, Lisa H. Calle soon began to explore the "other" side of textiles . . . the artistic side. She fell in love with quilting in 1997 and discovered longarm quilting in 2004. Her award-winning original designs have opened the door to teaching opportunities so that others can learn from her art and skills.

"Once you drive a BERNINA longarm, you never want to drive anything else."





4-rail fabric control system for easy quilt advance



Quilt frame easily loaded and ready to quilt

Introducing *BIG*

The dream of creating a machine simple enough for a beginner to master and robust enough for the professional is embodied in the BERNINA Q 20 and Q 24 Longarm machines. Easily complete quilts for others to love and appreciate the precision to compete with the best. What will *you* quilt with your Q Series quilting system?

Dream BIG

BERNINA is excited to share with you the fulfillment of a vision that was 120 years in the making. A long history of innovation blended with a wealth of quilting expertise is brought together in a machine that will meet the demands of discerning quilters everywhere. From the very first stitch, you will appreciate the thought behind every detail.

Confidently finish your large quilt projects, explore art-quilting, or enter a quilt competition. BERNINA is the perfect partner for home or studio.



8-way ergonomic handle bars



Frame: Strength and Style

For excellent quilting results, we have developed an ideal, high-quality frame, which is available in three different sizes (Large/Classic/Small). All three frames are constructed from anodized aluminum for a lightweight, yet sturdy frame that can handle the weight, size and speed of the BERNINA Longarm machines with ease.

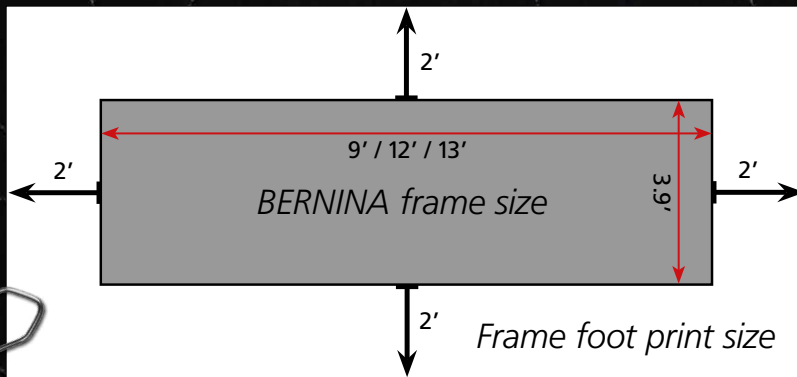
Overview of the three BERNINA frames

Frame	Large	Classic	Small
Size (length x depth)	13' x 3.9' (4.00 x 1.2 m)	12' x 3.9' (3.60 x 1.2 m)	9' x 3.9' (2.75 x 1.2 m)
Leader	132" / 11' (ca. 3.36 m)	120" / 10' (ca. 3.07 m)	83" / 6.9' (ca. 2.12 m)
Adjustable working height	35" to 47" (0.9 to 1.2 m)	35" to 47" (0.9 to 1.2 m)	35" to 47" (0.9 to 1.2 m)
Total weight*	352 to 552 lbs (160 to 250 kg)	330 to 508 lbs (150 to 230 kg)	330 to 508 lbs (115 to 120 kg)
Number of legs	6	6	4
Hydraulic lift	optional	optional	not available

* (Includes Q 20/Q 24 and all optional accessories)

Frame Features

- Adjustable foot pads for perfect leveling
- Continuous X and Y axis track system with no joints
- Angled tracks and wheel axles for accurate and smooth movement of the sew head to allow even quilting
- Friction-free 16-wheel system
- Leg system for maximum stability
- Multi-step ratchet system for perfect fabric tension
- Integrated latch system for maximum fabric holding power, yet easy release
- Pivot pick-up of magnetically-secured top rail, which allows fabric separation to smooth batting
- Dead bar for perfect fabric height no matter the length of your quilt
- Large diameter rails eliminate rail flex when tensioning the quilt
- Heavy duty canvas leaders with positioning markings for years of quilt loading ease
- Pantograph tabletop to easily align your rolled patterns
- 4 bungee clamps to align every quilt to perfection
- Convenient tool trays for your longarm quilting tools



We recommend a minimum of two feet of walking space around the frame.

Table for BERNINA Q 20: Form and Function

Designed to elegantly handle the speed and weight of the Q 20 for optimal performance with style.

- Table size basic approximately 36" x 45" (0.91 x 1.15 m)
- Table size expanded approximately 36" x 77" (0.91 x 1.96 m)
- Variable working height approximately 30" (0.75 m)
- Total weight incl. Q 20 265 lbs (120 kg)
- Generous storage space

Table Colors

Choose from two standard colors:

- English White Ash
- Asian Golden Teak

Additional optional colors available:

- American Birdseye Maple
- American Walnut
- North American Oak
- Brazilian Cherry
- Canadian Maple
- African Ebony

Unique user interface

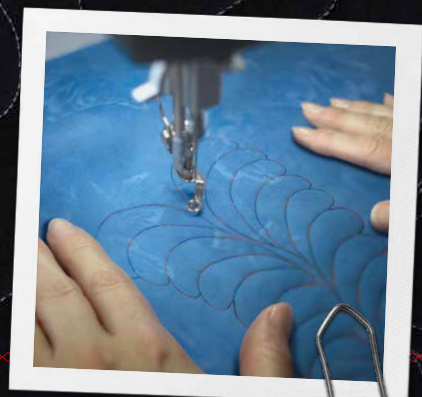
Machine settings and functions are controlled using an intuitive touch screen navigation system with integrated tutorials and help functionalities.

Ergonomics

The machine can be fully operated from the front. Dual handwheels (front and back) for easy manual needle positioning. Front handwheel is disengaged when using the electronic needle positioner.

BERNINA Longarm Stitch Regulation

Master hand-guided quilting quickly with the assistance of the integrated BERNINA Longarm Stitch Regulator, available on sit-down and frame models. The BERNINA Longarm Stitch Regulator is simple to activate and customizable using the machine's touch screen. A manual mode with no stitch regulation is also available.



Think BIG— Machine Features

Integrated bobbin winder

The on-board bobbin winder (M Class bobbin) makes it convenient to wind coordinating bobbin threads for your projects, independent of machine operation.

Unique threading path

The well-positioned spool holders and forward threading path are easy to reach and simple to follow.

Unique tension control

A BERNINA exclusive, electronically adjustable and numeric. Easily adjust thread tension and track settings for your favorite thread types and combinations, no external tension assembly required.

Ergonomic handles

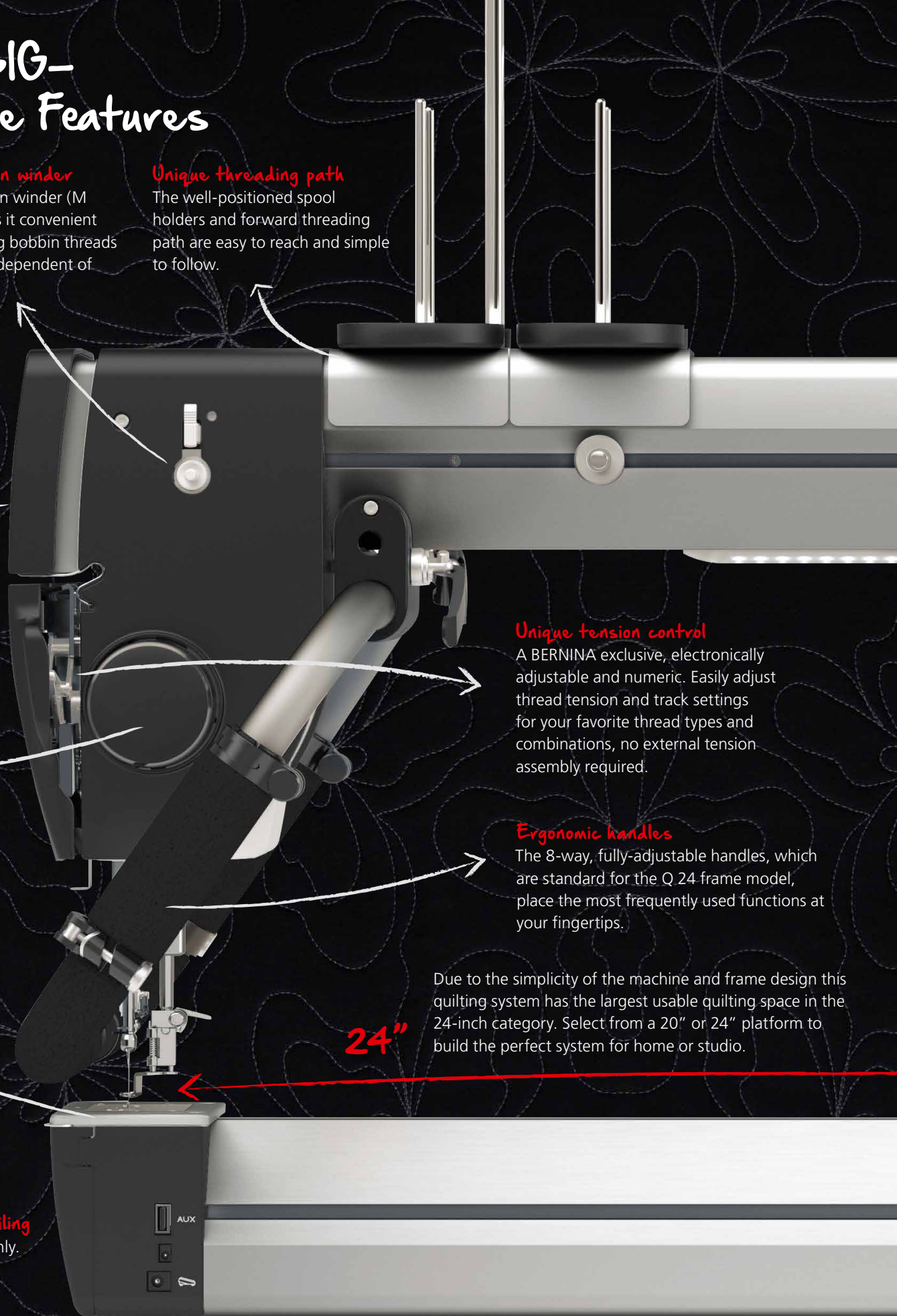
The 8-way, fully-adjustable handles, which are standard for the Q 24 frame model, place the most frequently used functions at your fingertips.

Due to the simplicity of the machine and frame design this quilting system has the largest usable quilting space in the 24-inch category. Select from a 20" or 24" platform to build the perfect system for home or studio.

24"

Minimum oiling

One point only.



KickStart function (Q 20 only)

The KickStart function allows quilting in a continuous sewing mode without having to keep the foot control constantly pressed. The currently programmed function of the back kick as well as the front kick, are temporarily overwritten and will become active again as soon as the KickStart function has been deactivated.

Speed

With high-speed precision stitching for hand-guided quilting, you will complete more quilts quicker than ever.

BERNINA

Designed, engineered, and assembled in Switzerland.

Back handwheel

LED lighting

50 bright LED lights along the length of the machine and above the needle illuminate the quilt for enhanced visibility.

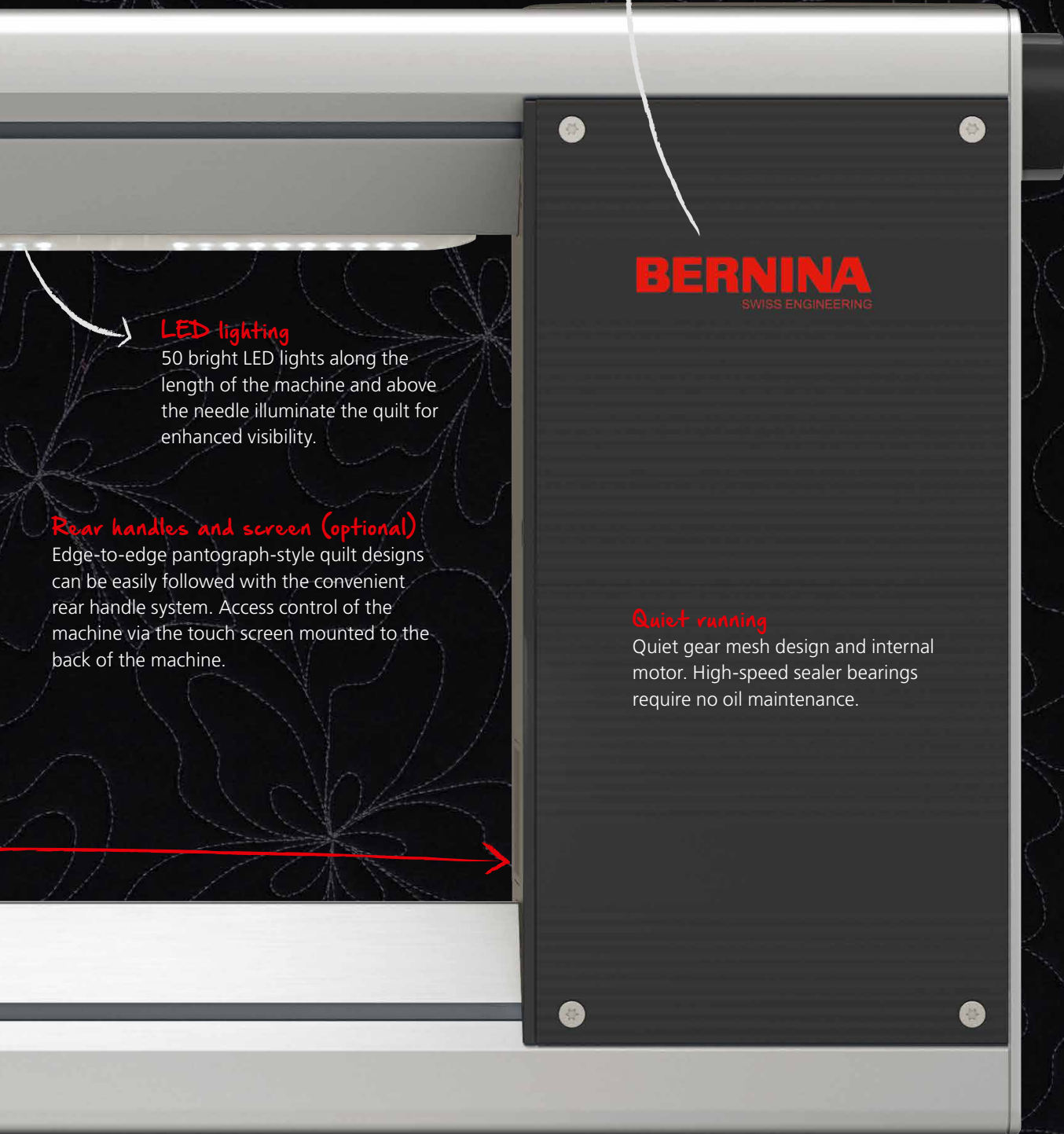
Rear handles and screen (optional)

Edge-to-edge pantograph-style quilt designs can be easily followed with the convenient rear handle system. Access control of the machine via the touch screen mounted to the back of the machine.

BERNINA
SWISS ENGINEERING

Quiet running

Quiet gear mesh design and internal motor. High-speed sealer bearings require no oil maintenance.



Uniquely BERNINA

Unique Tension Control

The BERNINA Longarm models offer presser foot tension release for threading ease. The exclusive tension system features numeric tension settings making it very easy to use a wide range of thread types with success, no external tension assembly required.



Unique User Interface

BERNINA brings the best of the domestic machine world to the Longarm world with a simple-to-navigate color touch screen. Totally customizable, it includes useful functions, such as five user profiles, a stitch counter, and built-in tutorials offering assistance with threading the machine, oiling and winding the bobbin, and other processes.



Unique Threading Path and Integrated Bobbin Winder

The forward position of the spool holders is easy to reach and the threading path is simple to follow. The integrated, separately-running bobbin winder is just one of the small details that make this machine unique.

Unique BERNINA Longarm Stitch Regulation

Both the sit-down and frame model machines keep your stitches even and consistent regardless of how simple or complex your quilt motif may be. Both longarms are equipped with two internal, integrated BERNINA Stitch Regulators, one on each side of the stitch hole in the needle plate, to allow for very precise sensing of the machine/fabric movement. The first system with no mechanical encoders.



Unique Programmable Handles

The most frequently used functions are right at your fingertips. Fully-adjustable 8-way handles offer comfort, whether stitching edge-to-edge or custom motifs, to reduce any potential fatigue and to quilt in your perfect position.



Key features of the BERNINA Q24 and Q20—Frame or Sit-down Version

Technical Data	Q24	Q20
Throat space	24" (610mm)	20" (508mm)
Color touch screen	4.3" (109mm)	
Illumination of the full length of the freearm	Yes, 50 LEDs	
Hook system	M Class Rotary Hook	
Threader	Yes	
Thread tension	Electronically/digitally adjustable	
Presser foot lift	Electronic	
Upper thread break sensor	Yes	
BERNINA Longarm Stitch Regulator functionality	Dual Stitch Regulators	
Connection (basic)	USB host/slave	
Connection (additional purpose)	HDMI	
Update-able	Yes	

Sewing	Q24	Q20
Sewing speed maximum	2,200spm	
Stitch length minimum	1.05 mm (24spi*)	
Stitch length maximum	25.4 mm (1spi*)	
User profiles	5	
Bobbin Thread Indicator	Yes	
On-board bobbin winder	Yes	
Compatible with domestic machine needles	Yes	
Compatible with BERNINA free-motion feet	Yes	

Standard Accessories	Q24	Q20
Standard presser foot**	Free-motion Foot #9	
Two spool holders	Yes	
Metal accessory box	Yes	

*Stitches per inch **Wide range of optional free-motion feet (see below)

Optional Frame Accessories



Q-matic Kit (Automation)*

With the Q-matic software and hardware, quilts can be created very precisely using computer control. The special software allows designs to be selected and edited before quilting.



Pantograph Kit

- Pantograph handles (attach to the back of the machine)
- Rear touch screen
- Laser light
- Stylus (metal)
- Holder for laser light and stylus
- Sample pantograph
- Transparent plastic foil



Ruler Work Kit

- Ruler foot #96
- Ruler base
- Ruler

Channel Lock

Use the channel locks for locking the X and Y axis of your machine and carriage.

*The Q-matic Kit, additional shelving, hydraulic lift and batting roll holder are not compatible with the Small frame version

BERNINA



Additional shelving*



Casters



Hydraulic lift*



Batting roll holder*

Optional Machine Accessories



Compatible with BERNINA Free-motion Feet

- Embroidery Foot #15
- Free-motion Embroidery Foot #24
- Drop-shaped Embroidery Foot #26
- Quilting Foot #29
- Free-motion Couching Foot #43
- Echo-quilting and CutWork Foot #44C
- Ruler Foot #96

Twin Needle Stitch Plate

Use a twin needle and the twin needle stitch plate to achieve interesting ribbon-like effects. Experiment with two colors or shades of thread to produce 3D effects.



Horizontal and vertical spool holders

PunchWork Tool for Rotary Hook

With this special tool, wool or loose wool fibres can be worked into fabrics to create decorative effects.