

BSC series

Single needle, High speed, Narrow cylinder bed, Horizontal axis hook, Compound feed and walking foot, Reverse stitch, Lockstitch machines



BSC-8BL-BTFL-CD-DS

Variety



BSC-8B

Standard hook.



BSC-8B-BTFL

Standard hook, automatic back tack, automatic presser foot lift.



BSC-8B-BTFL-CD-DS

Standard hook, automatic back tack, automatic presser foot lift, climbing device, dual stitching device.



BSC-8BV

Standard hook, horizontal feed, synchronized binder.



BSC-8BV-BTFL

Standard hook, horizontal feed, synchronized binder, automatic back tack, automatic presser foot lift.



BSC-8BHC

Standard hook, horizontal feed, thread trimmer.



BSC-8BHC-BTFL

Standard hook, horizontal feed, thread trimmer, automatic back tack, automatic presser foot lift.



BSC-8BL

Large hook.



BSC-8BL-BTFL

Large hook, automatic back tack, automatic presser foot lift.



BSC-8BL-BTFL-CD-DS

Large hook, automatic back tack, automatic presser foot lift, climbing device, dual stitching device.



BSC-8BLV

Large hook, horizontal feed, synchronized binder.



BSC-8BLV-BTFL

Large hook, horizontal feed, synchronized binder, automatic back tack, automatic presser foot lift.



BSC-8BLH

Large hook, horizontal feed.

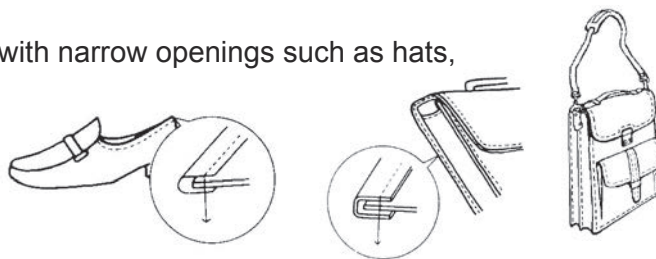


BSC-8BLH-BTFL

Large hook, horizontal feed, automatic back tack, automatic presser foot lift.

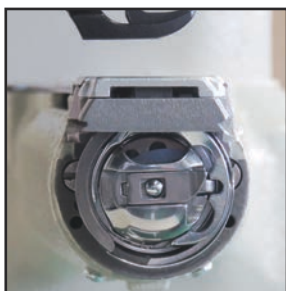
Applications

- For sewing medium to heavy weight fabrics, leather, vinyl, synthetics and laminated and coated materials.
- Suitable for tubular and curved products with narrow openings such as hats, caps, shoes, bags, handbags, etc.

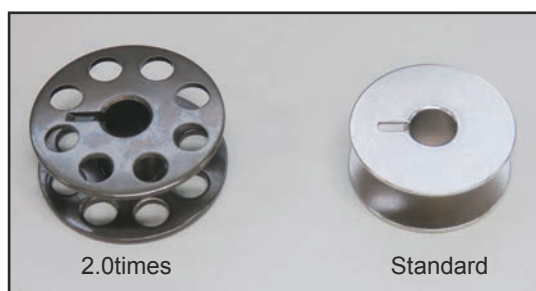


Features

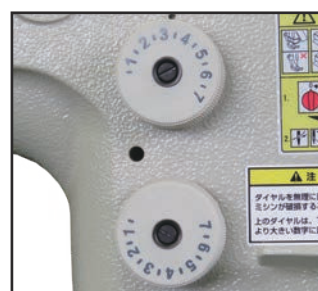
- Secure Feeding
 - * Compound Feeding System to make the secure stitches on heavy duty materials, even on slippery or uneven materials.
- Cylinder bed size
 - * 1-13/16"(46mm) dia. for standard hook model(8B, 8BV, 8BHC).
 - * 1-31/32"(50mm) dia. for large hook model(8BL, 8BLV, 8BLH).
 - Double size rotating hook reducing a frequency of bobbin thread replacement.
- One touch switchover for two different stitch lengths (DS device)
 - * Variety sewing materials such as steps, curves, uneven thickness can be performed by one touch switchover setting two different stitch lengths. The efficient work and beautiful finishes will be obtained. (8B-BTFL-CD-DS, 8BL-BTFL-CD-DS)



2.0 times large capacity hook



Comparison of the bobbin size

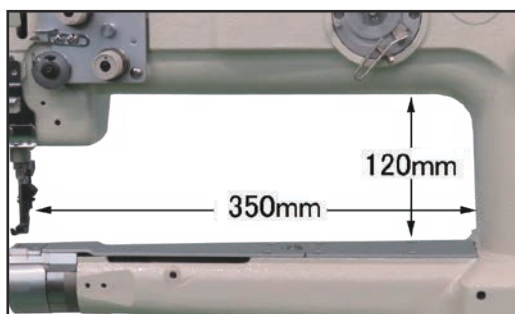


One touch switchover for two different stitch lengths (DS device)

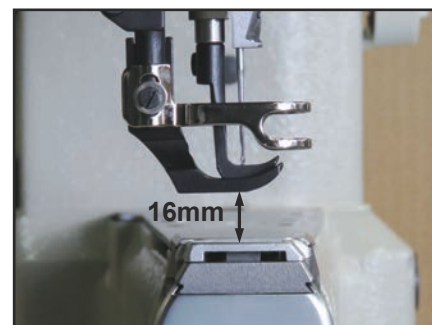
- Built-in bobbin winder
 - * Built-in bobbin winder makes it possible to wind the bobbin thread during sewing operation.
- Wide working space
 - * Wide working space 13-25/32" x 4-23/32"(350mm x 120mm).
- Good Operability.
 - * Presser foot lift amount 5/8"(16mm) (by knee).
 - Needle bar stroke 1-25/64"(35.4mm).
 - Alternating presser foot lift amount 3/64" - 1/4" (1mm - 6.5mm).



Built-in bobbin winder with fine adjustment function of thread winding amount



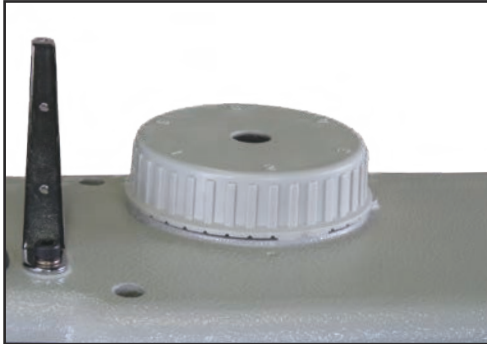
Wide working space



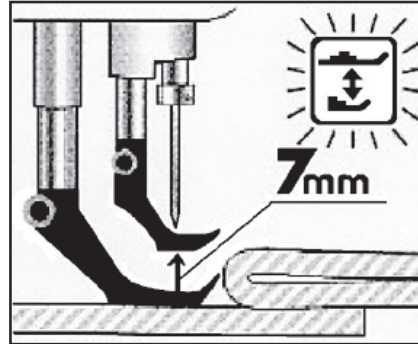
The clearance under the presser foot (16mm)

BSC series

- Simple setting for alternating presser foot movement
 - * Alternating presser foot movement between inner foot and outer foot can be changed simply by the easy-to-handle dial located at the top of the sewing machine.
 - * Once the alternating movements have been set, the sewing speed is automatically controlled to the optimum speed so that stable sewing is maintained. (8B-BTFL-CD-DS, 8BL-BTFL-CD-DS)
- Smooth stitching on step section (CD device)
 - * Can change the presser foot step maximum 7mm higher by button right before the uneven point that makes smoother stitching. (8B-BTFL-CD-DS, 8BL-BTFL-CD-DS)
- 5 operational switches improve working efficiency
 - * 5 switch buttons are panelled on the convenient positions improve the efficient works. (8B-BTFL-CD-DS, 8BL-BTFL-CD-DS)



Simple setting for alternating presser foot movement



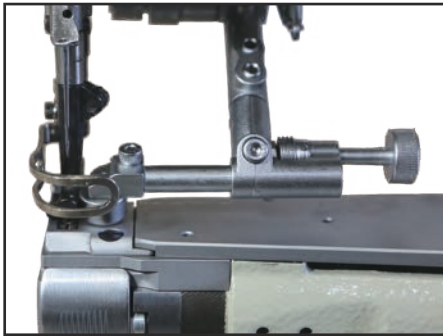
Smooth stitching on step section (CD device)



5 operational switches

- * Quick reverse switch
- * Walking foot movement change switch
- * Auto backtack select switch
- * Half stitch switch
- * Stitch length change switch

- Guide (optional parts)



- Lubrication
 - * Automatic lubrication system.
- Improved Safety
 - * Moving area is safely covered.
- Improved Maintainability
 - * Better maintainability with Thumb screw to adjust presser foot pressure.
- Automatic thread trimmer
 - * Automatic thread trimmer model available (8BHC).
- Synchronized binder
 - * Synchronized binder models available (8BV, 8BLV).
- Automatic back tack and Presser foot lift
 - * Option - Automatic back tack (BT) and Presser foot lift (FL) available.

Specifications (BSC-□)

Variety	8B 8B-BTFL 8B-BTFL-CD-DS	8BL 8BL-BTFL 8BL-BTFL-CD-DS	8BV 8BV-BTFL	8BLV 8BLV-BTFL	8BLH 8BLH-BTFL	8BHC 8BHC-BTFL
Number of needle	Single needle					
Max. sewing speed	2,300 s.p.m.		2,500 s.p.m.			
Max. stitch length	9/32" (7 mm)					15/64" (6 mm)
Needle bar stroke	1-25/64" (35.4 mm)					
Needle(standard)	DPx17 (#18) 135x17 (#110)		DPx17 (#16) 135x17 (#100)		DPx17 (#18) 135x17 (#110)	
Thread	#20 (standard)		#30 (standard)			#20 (standard)
Hook	Horizontal axis hook	Large horizontal axis hook(2.0times)	Horizontal axis hook	Large horizontal axis hook(2.0times)		Horizontal axis hook
Thread take up lever	Slide type					
Lubrication	Automatic lubrication type					
Cylinder size	1-13/16" (46 mm) dia.	1-13/32" (50 mm) dia.	1-13/16" (46 mm) dia.	1-13/32" (50 mm) dia.		1-13/16" (46 mm) dia.
Working space	13-25/32"x 4-23/32" (350 x 120 mm)					
Net weight(Head only)	48 Kg *1					52 Kg *1

Feeding system	elliptical	horizontal
----------------	------------	------------

*1 Additional weight for BTFL equipment is 1 kg

● Clearance under presser foot and Amount of lift of walking foot

Variety	8B / 8BL 8BV / 8BLV 8BHC / 8BLH	8B-BTFL / 8BL-BTFL 8BV-BTFL / 8BLV-BTFL 8BHC-BTFL / 8BLH-BTFL	8B-BTFL-CD-DS 8BL-BTFL-CD-DS
Clearance under presser foot	by hand	23/64" (9 mm)	
	by knee	5/8" (16 mm)	—
	by automatic foot lifter	—	5/8" (16 mm)
Amount of lift of walking foot	3/64"-1/4" (1 - 6.5 mm)		3/64"-9/32" (1 - 7 mm)

NOTE: (1) Speed depends on threads, materials and type of operation
(2) Specifications subject to change without notice



SEIKO SEWING MACHINE CO., LTD.

2-13-6, Sakaecho, Funabashi-shi
Chiba Prefecture, 273-0018, Japan

Phone : +81-47-420-3561 (Overseas dept.)

Fax : +81-47-420-3560

E-mail : export@seiko-sewing.co.jp

Printed in Japan 2021.4

<http://www.seiko-sewing.co.jp/>